

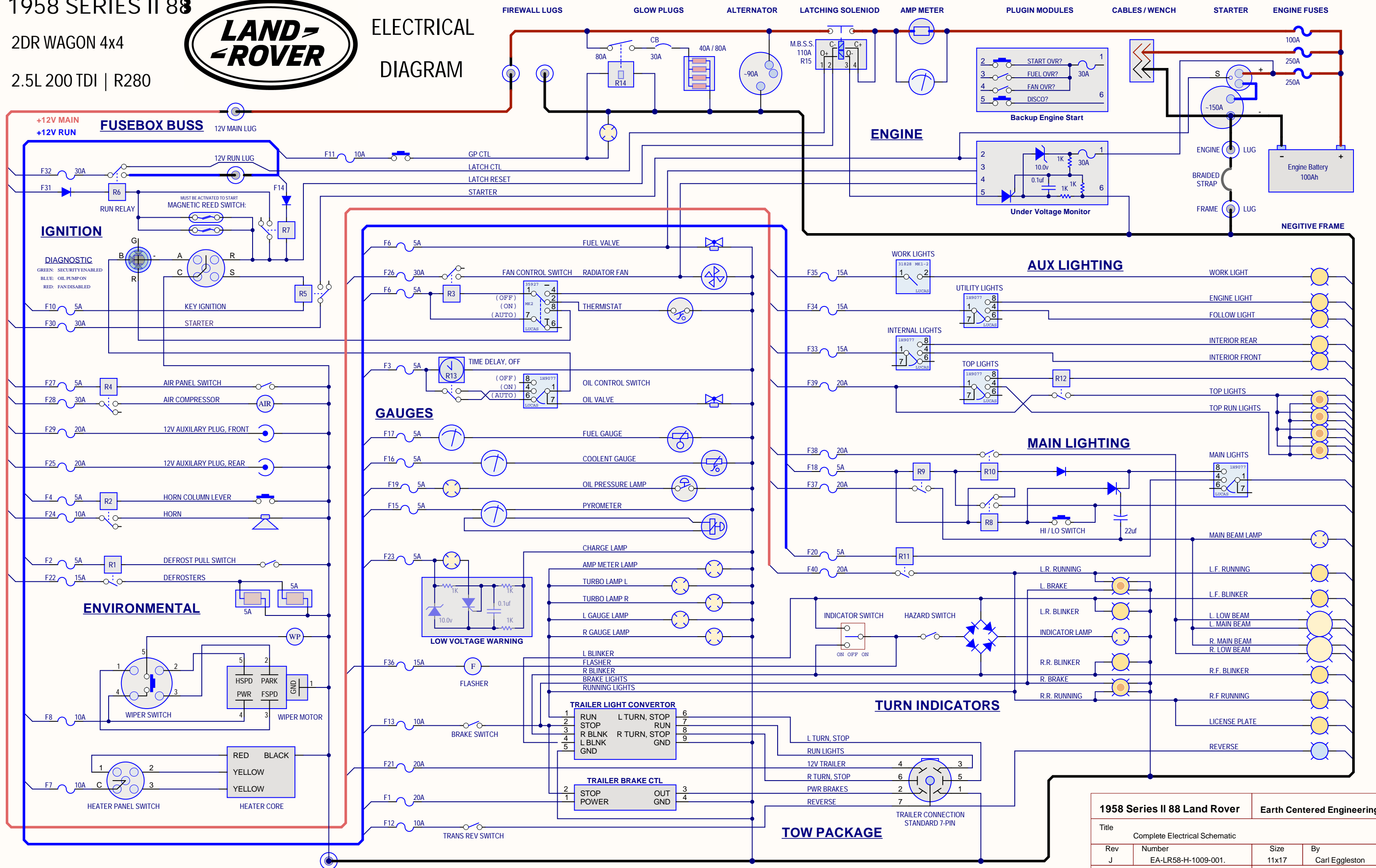
1958 SERIES II 88

2DR WAGON 4x4

2.5L 200 TDI | R280

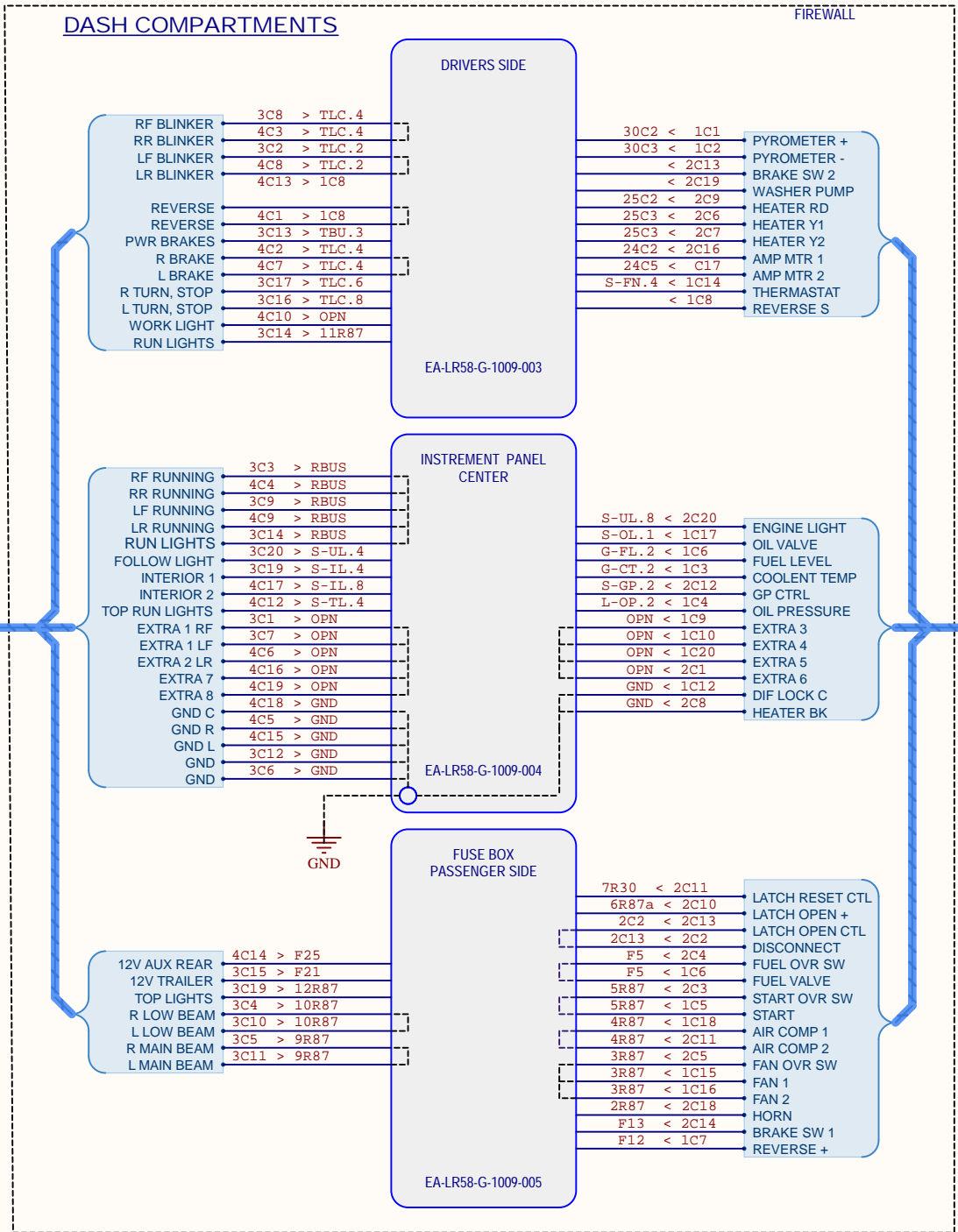
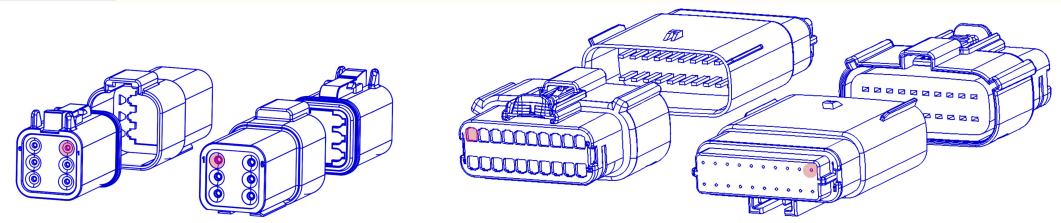


ELECTRICAL DIAGRAM

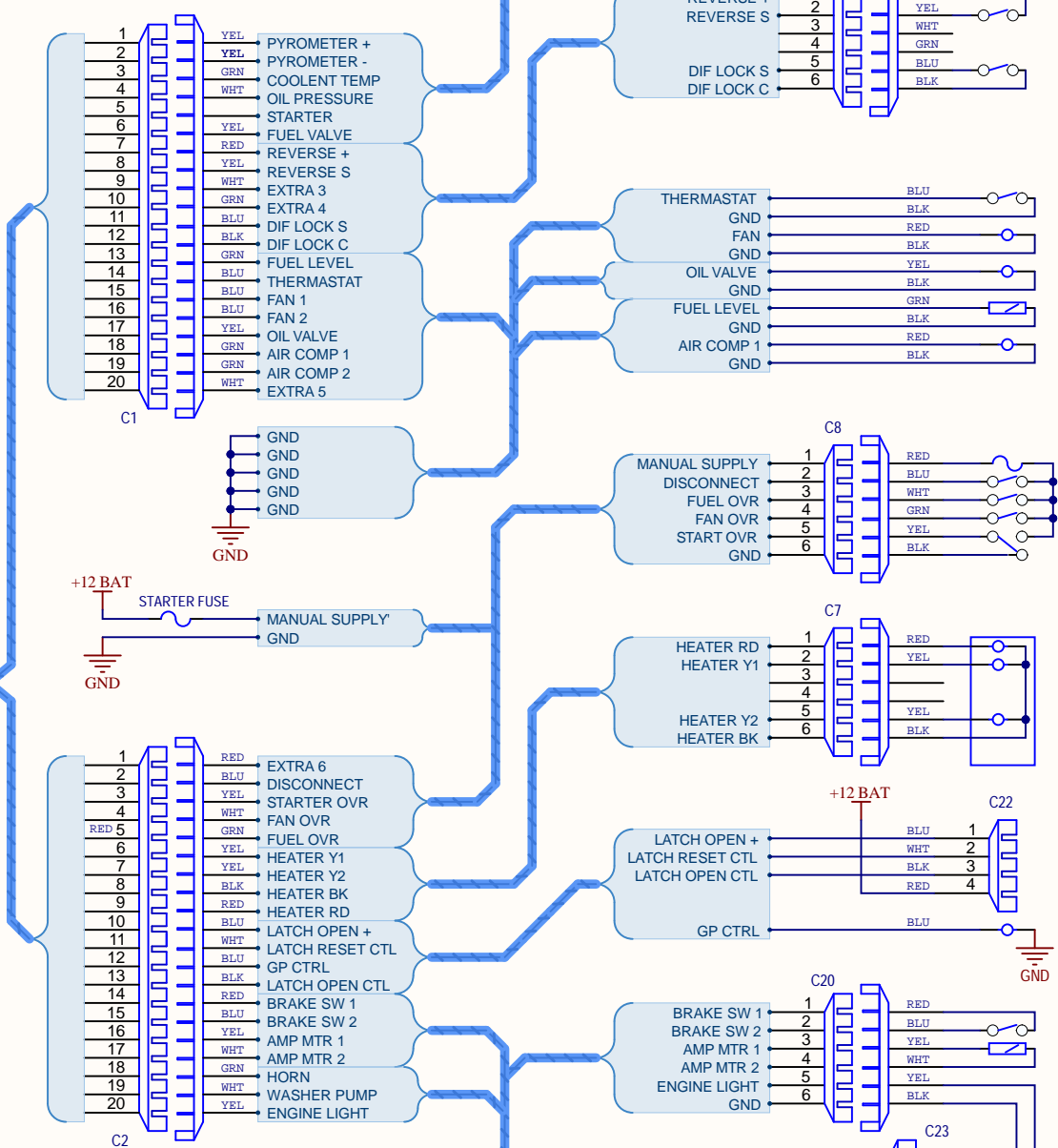


1958 Series II 88 Land Rover		Earth Centered Engineering	
Title Complete Electrical Schematic			
Rev J	Number EA-LR58-H-1009-001.	Size 11x17	By Carl Eggleston
Date 11/14/2023		Sheet 1	of 5

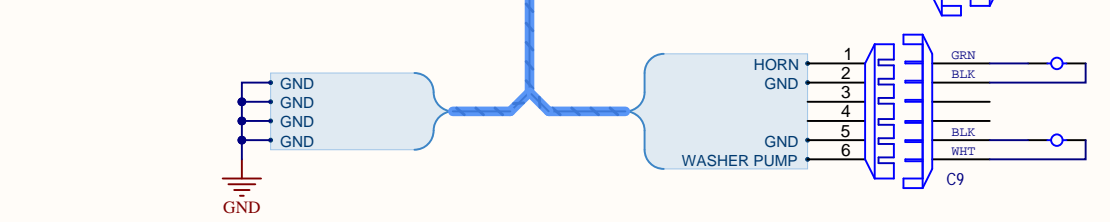
CONNECTOR DETAIL



ENGINE HARNESS



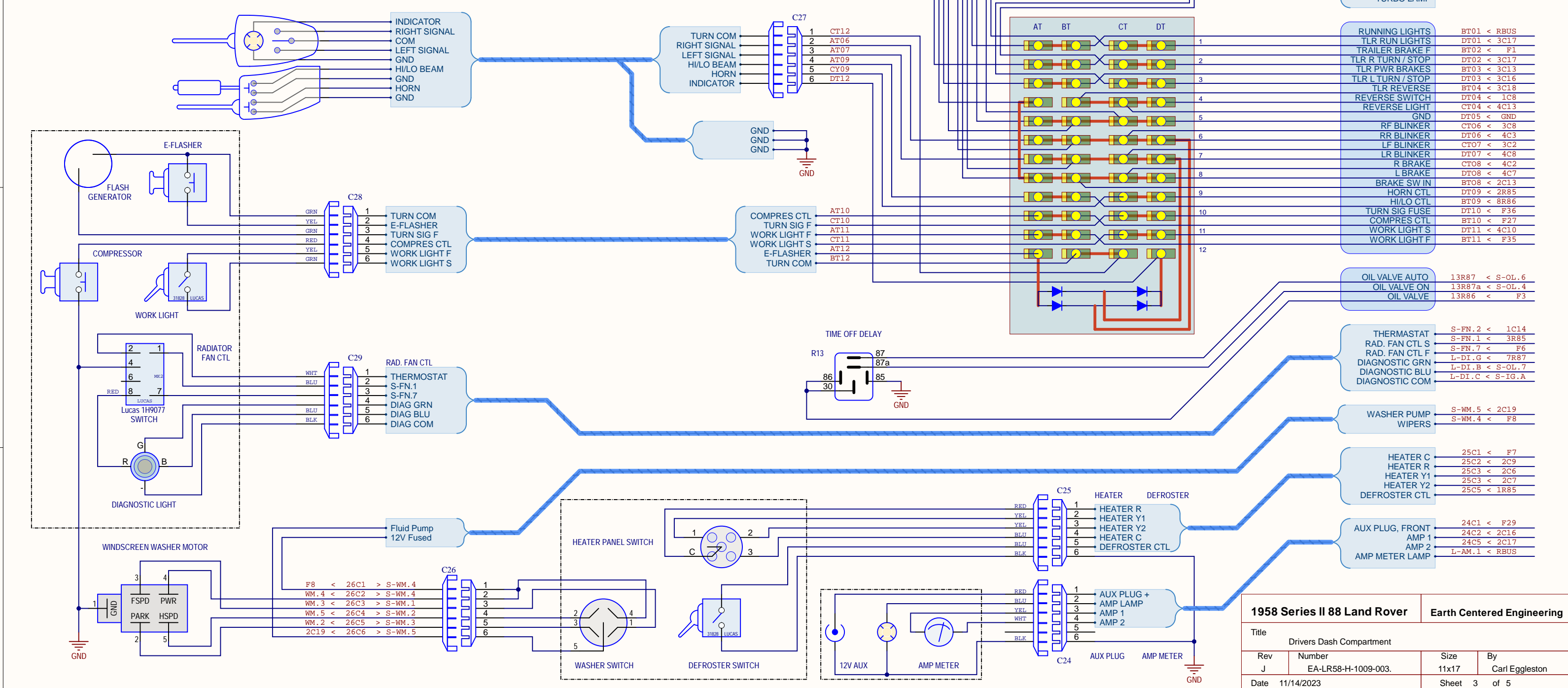
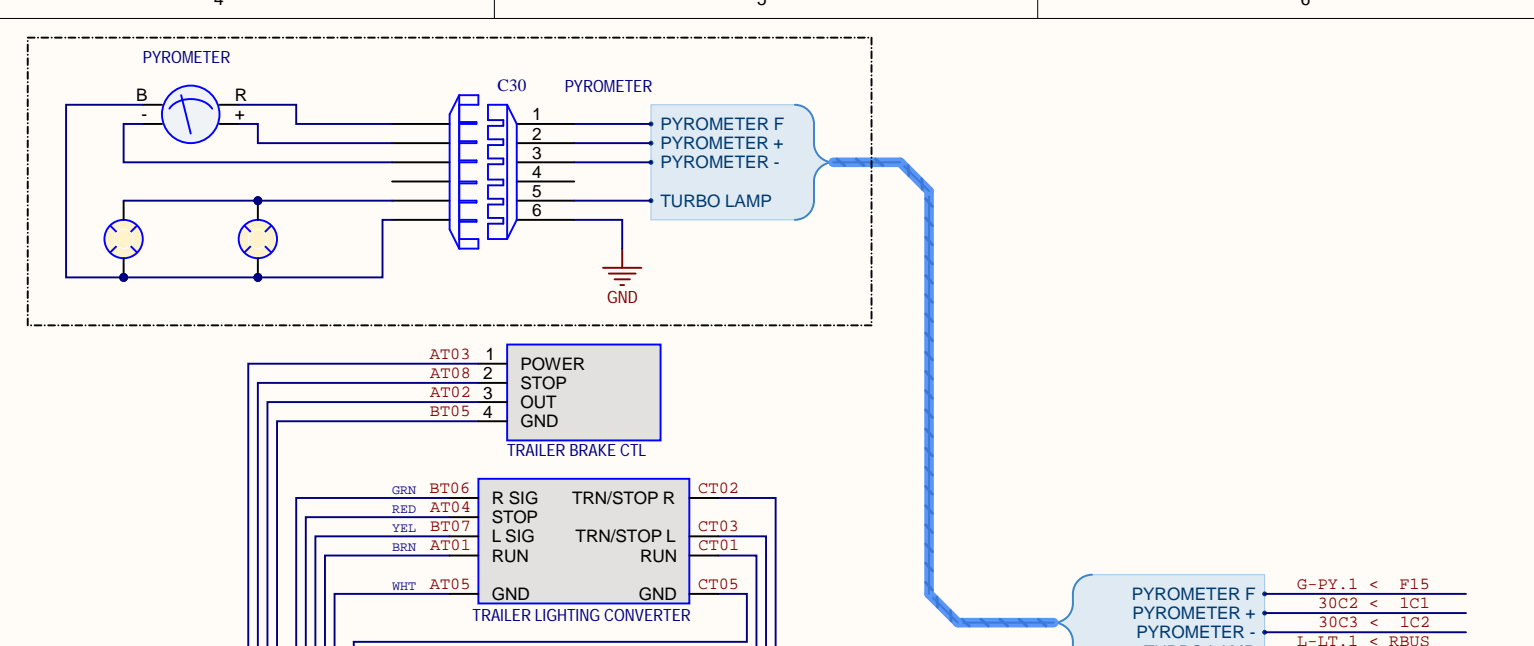
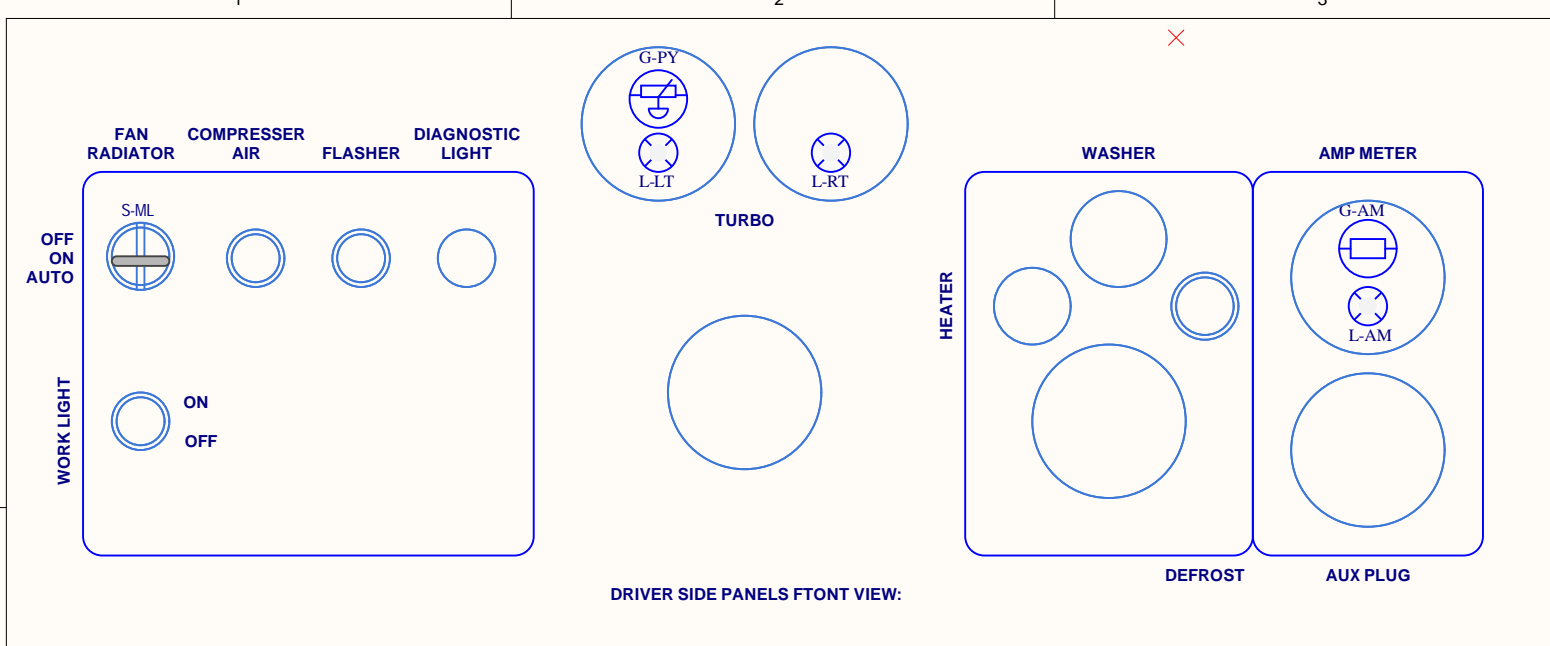
MACHANICAL HARNESS



NOTES:

- ALL GROUND WIRES WILL BE BLACK
- ALL +12V SOURCES WILL BE RED
- FUSE SOURCES MAY BE RED OR SIGNAL COLORS
- SWITCHED SIGNALS AND SENSORS WILL BE: 14 AWG - YELLOW, GREEN, WHITE OR BLUE UNLESS SPECIFIED OTHERWISE

1958 Series II 88 Land Rover		Earth Centered Engineering	
Title Wire Harness & Connector Diagram			
Rev	Number	Size	By
H	EA-LR58-H-1009-002.	11x17	Carl Eggleston
Date	11/14/2023	Sheet	2 of 5



1958 Series II 88 Land Rover		Earth Centered Engineering	
Title Drivers Dash Compartment			
Rev J	Number EA-LR58-H-1009-003	Size 11x17	By Carl Eggleston
Date 11/14/2023		Sheet 3	of 5

LIGHTING HARNESS

- RF RUNNING 3C3 > RBUS
- RR RUNNING 4C4 > RBUS
- LF RUNNING 3C9 > RBUS
- LR RUNNING 4C9 > RBUS
- RUN LIGHTS 3C14 > RBUS

- FOLLOW LIGHT 3C20 > S-UL.4
- INTERIOR 1 3C19 > S-IL.4
- INTERIOR 2 4C17 > S-IL.8
- TOP RUN LIGHTS 4C12 > S-TL.4

- GND C 4C18 > GND
- GND R 4C5 > GND
- GND L 4C15 > GND
- GND 3C12 > GND
- GND 3C6 > GND

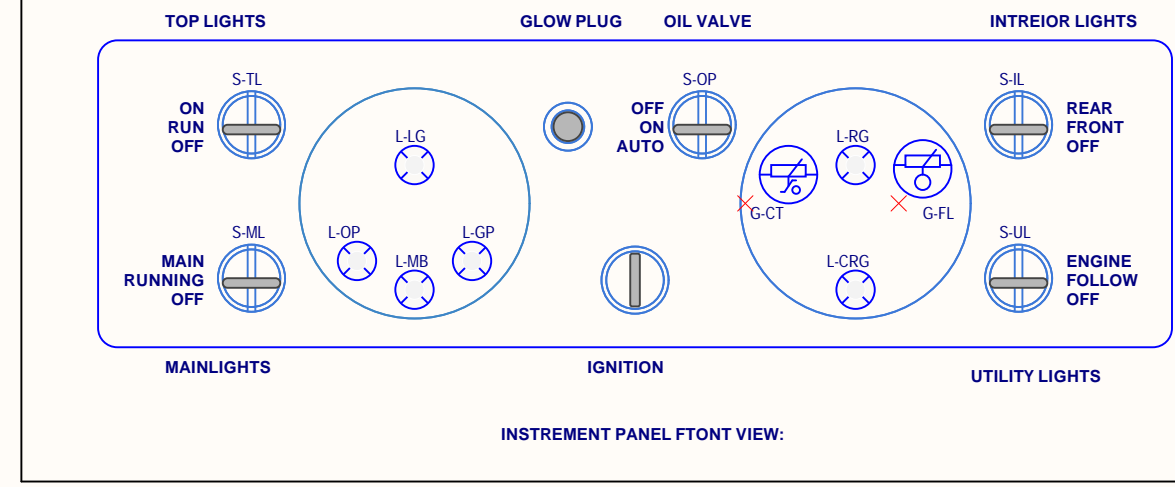
- EXTRA 1 RF 3C1 > OPN
- EXTRA 1 LF 3C7 > OPN
- EXTRA 2 LR 4C6 > OPN
- EXTRA 7 4C16 > OPN
- EXTRA 8 4C19 > OPN

ENGINE HARNESS

- ENGINE LIGHT 2C20 > S-UL.8
- OIL VALVE 1C17 > S-OL.1
- FUEL LEVEL 1C3 > G-FL.2
- COOLENT TEMP 1C6 > G-CT.2
- GP CTRL 2C12 > S-GP.2
- OIL PRESSURE 1C4 > L-OP.2

- HEATER BK 2C8 > GND
- PYROMETER C 1C1 > GND

- EXTRA 3 1C10 > OPN
- EXTRA 4 1C12 > OPN
- EXTRA 5 1C20 > OPN
- EXTRA 6 2C1 > OPN



LEFT DASH HARDNESS

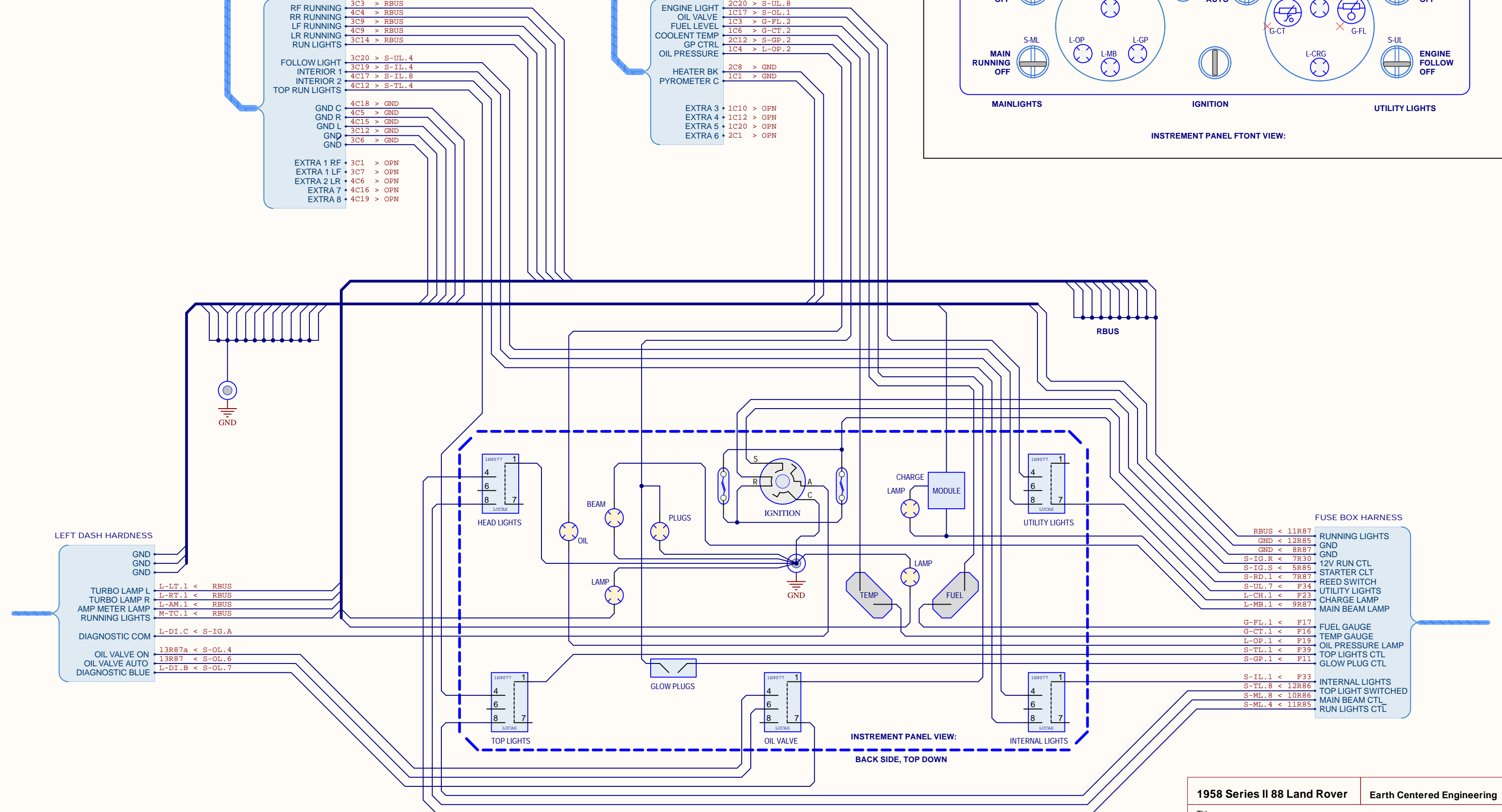
- GND
- GND
- GND
- TURBO LAMP L L-LT.1 < RBUS
- TURBO LAMP R L-RT.1 < RBUS
- AMP METER LAMP L-AM.1 < RBUS
- RUNNING LIGHTS M-TC.1 < RBUS
- DIAGNOSTIC COM L-DI.C < S-IG.A
- OIL VALVE ON 13R87a < S-OL.4
- OIL VALVE AUTO 13R87 < S-OL.6
- DIAGNOSTIC BLUE L-DI.B < S-OL.7

FUSE BOX HARNESS

- RBUS < 11R87
- GND < 12R85
- GND < 8R87
- S-IG.R < 7R30
- S-IG.S < 5R85
- S-RD.1 < 7R87
- S-UL.7 < F34
- L-CH.1 < F23
- L-MB.1 < 9R87

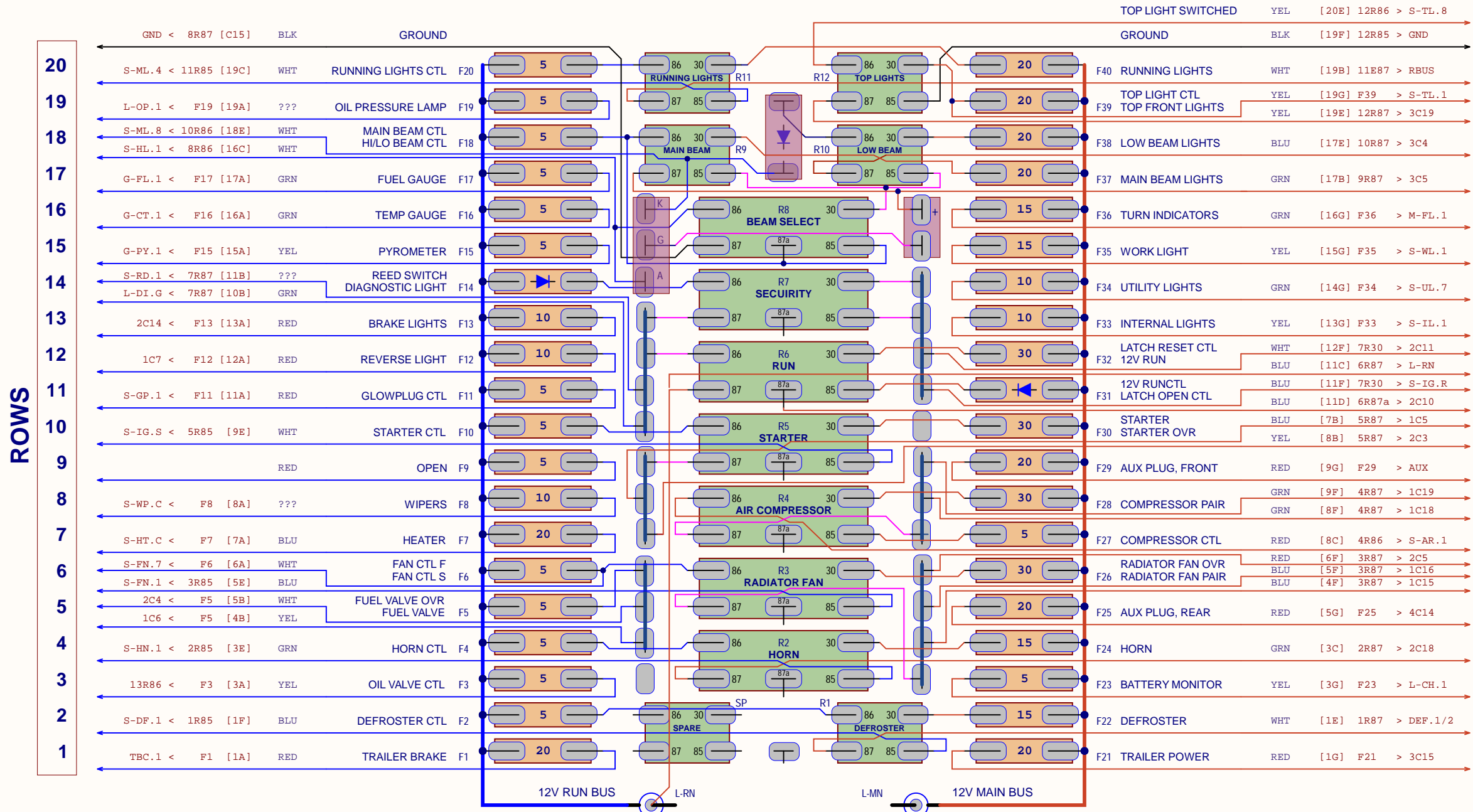
- G-FL.1 < F17
- G-CT.1 < F16
- L-OP.1 < F19
- S-TL.1 < F39
- S-GP.1 < F11

- S-IL.1 < F33
- S-TL.8 < 12R86
- S-ML.8 < 10R86
- S-ML.4 < 11R85



1958 Series II 88 Land Rover		Earth Centered Engineering	
Title Center Dash Compartment - Instrument Panel Detail			
Rev J	Number EA-LR58-H-1009-004.	Size 11x17	By Carl Eggleston
Date 11/14/2023	Sheet 4 of 5		

FUSE BOX DETAIL



ROWS

A B C D E F G

COLUMNS

[TOP VIEW]

FUSE BOX LABEL DETAIL

RUN FUSE BUSS			RELAY		+12V FUSE BUSS				
Fuse	AMP	NAME	NAME		Fuse	AMP	NAME		
F20	5	RUNNING LIGHTS CTL	R11	RUNNING LIGHTS	R12	F40	20	RUNNING LIGHTS	
F19	5	OIL PRESSURE LAMP		TOP LIGHTS	R12	F39	20	TOP FRONT LIGHTS	
F18	5	MAIN BEAM CTL	R9	MAIN BEAM	R10	F38	20	LOW BEAM LIGHTS	
F17	5	FUEL GAUGE		LOW BEAM	R10	F37	20	MAIN BEAM LIGHTS	
F16	5	COOLENT GAUGE	R8	BEAM SELECT		R8	F36	15	TURN INDICATORS
F15	5	PYROMETER			R8	F35	15	WORK LIGHT	
F14	D	SECURITY	R7	SECURITY		R7	F34	10	UTILITY LIGHTS
F13	10	BRAKE LIGHTS			R7	F33	10	INTERNAL LIGHTS	
F12	10	REVERSE LIGHT	R6	RUN		R6	F32	30	12V RUN
F11	5	GLOW PLUG CTL			R6	F31	D	12V RUN CTL	
F10	5	STARTER CTL	R5	STARTER		R5	F30	30	STARTER
F9	5	OPEN			R5	F29	20	AUX PLUG, FRONT	
F8	10	WIPERS	R4	AIR COMPRESSOR		R4	F28	30	AIR COMPRESSOR
F7	20	HEATER			R4	F27	5	COMPRESSOR CTL	
F6	5	FAN CTL	R3	RADIATOR FAN		R3	F26	30	RADIATOR FAN
F5	5	FUEL VALVE			R3	F25	20	AUX PLUG, REAR	
F4	5	HORN CTL	R2	HORN		R2	F24	15	HORN
F3	5	OIL VALVE			R2	F23	5	BATTERY MONITOR	
F2	5	DEFROSTER CTL	R1	SPARE	DEFROSTER	R1	F22	15	DEFROSTER
F1	20	TRAILER BRAKE			R1	F21	20	+12V TRAILER	

COMPONENTS

- FUSE BOX:** BUSSMANN / EATON: SERIES 15400 RFRM
- RELAY:** MICRO ISO280 12V TYPE-A 30A SPST 4-PIN
MICRO ISO280 12V TYPE-C 30A SPDT 5-PIN
- DIODE:** LITTELFUSE 02400104P 1A MINI DIODE
- FUSE:** MINI ATM 5A - 30A

1958 Series II 88 Land Rover		Earth Centered Engineering	
Title Passenger Dash Compartment - Fuse Box DETAIL			
Rev J	Number EA-LR58-H-1009-005	Size 11x17	By Carl Eggleston
Date 11/14/2023	Sheet 5 of 5		